

MOVING TECHNOLOGIES



POSIVEL® PV22 PV26

COLUMN PVC



FIXED OVERHEAD PVF



OVERHEAD TROLLEY MOUNTED PVS



 **dalmecc**
Industrial Manipulators

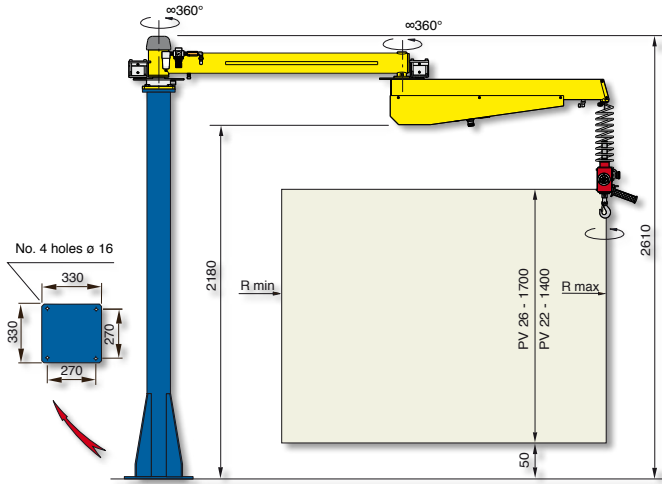
Pneumatic Manipulator POSIVEL PV with double cable

POSIVEL PV, generally realized with hook, can be equipped with simple gripping tools to allow the handling of light loads in a weightless condition in any direction.

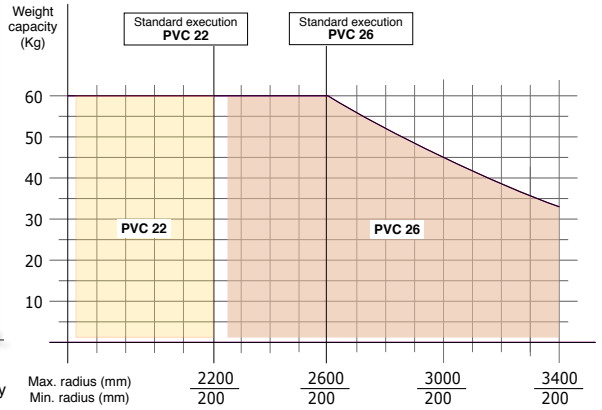
The particular double arm structure and medium joint makes it easy to handle and precise throughout the working area.

POSIVEL® - PV22 PV26

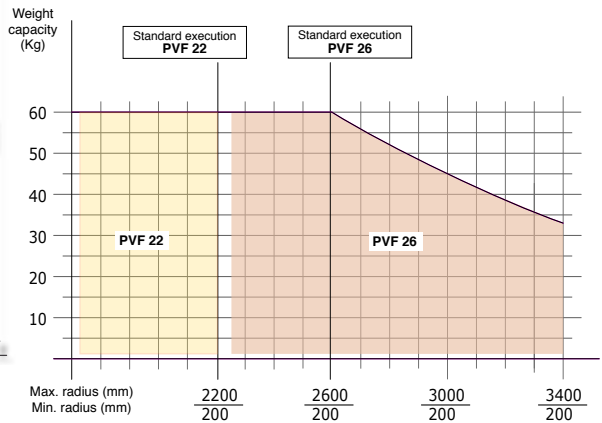
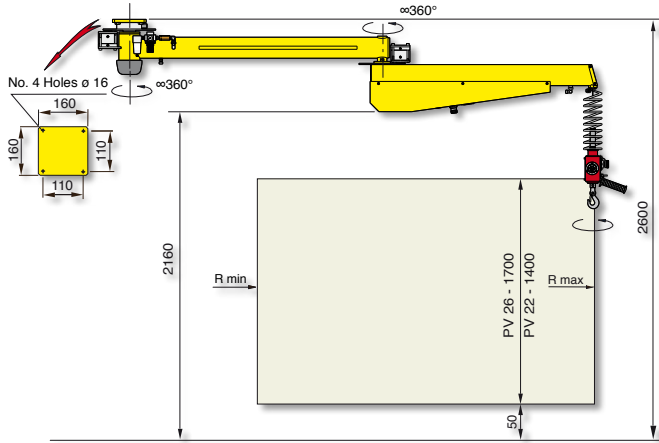
Posivel column mounted - PVC



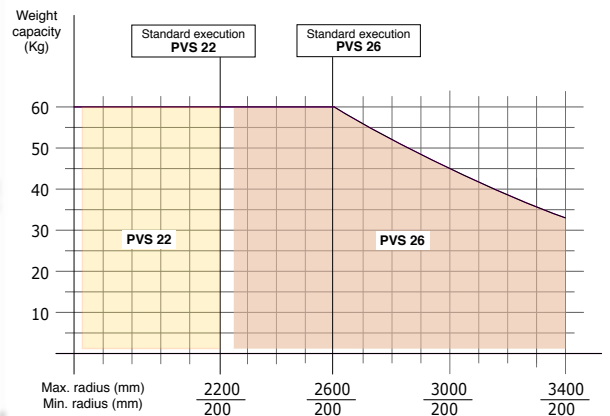
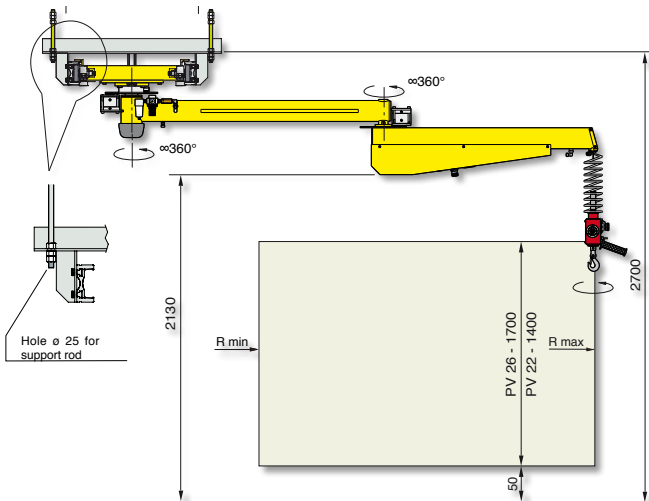
Structural versions: column mounted on fixed base-plate, autostable base-plate of our supply properly dimensioned.



Posivel overhead mounted - PVF



Posivel overhead trolley mounted - PVS



Air supply: Dry and oil-free compressed air min constant 0.7±0.8 MPa